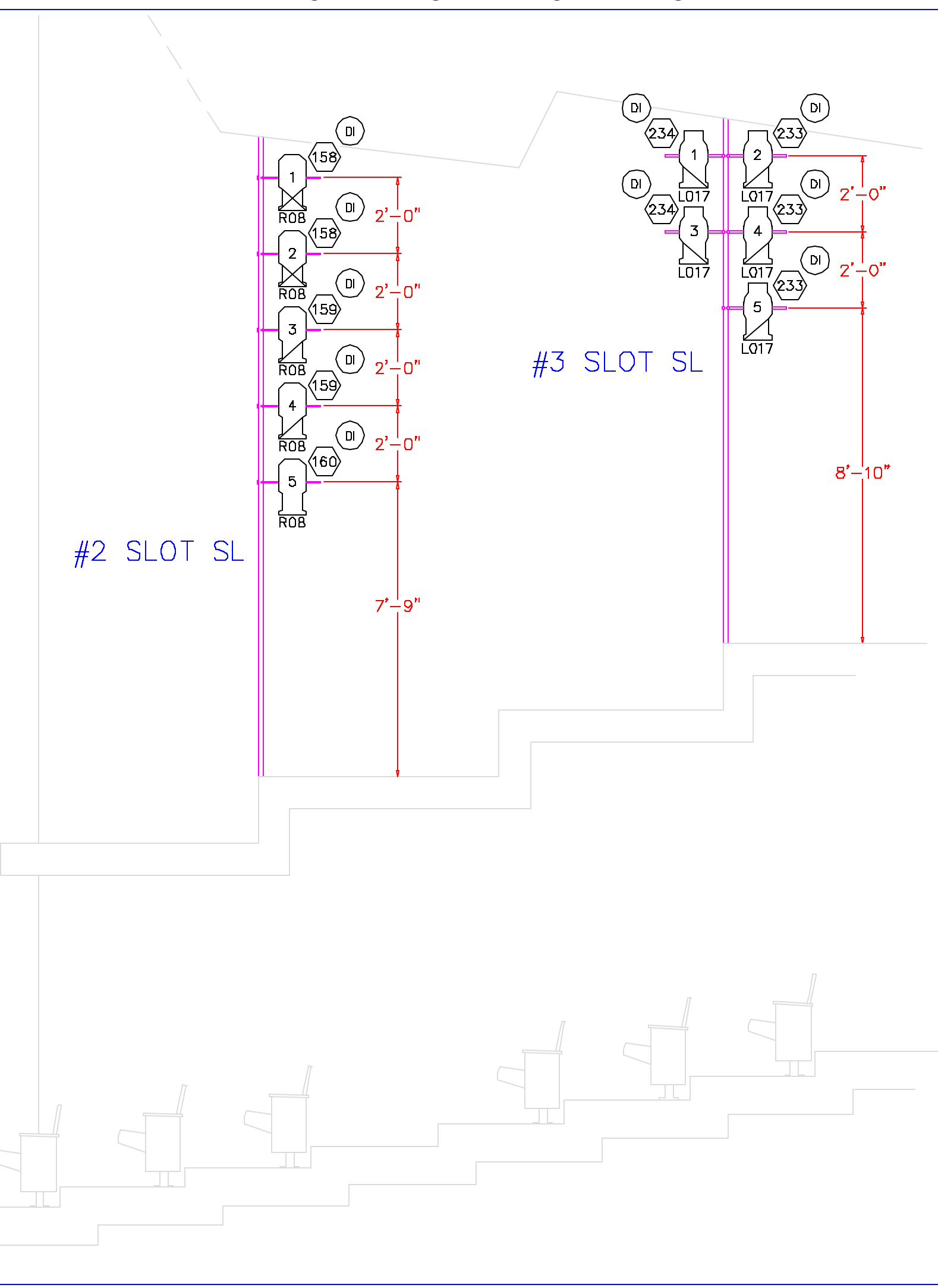
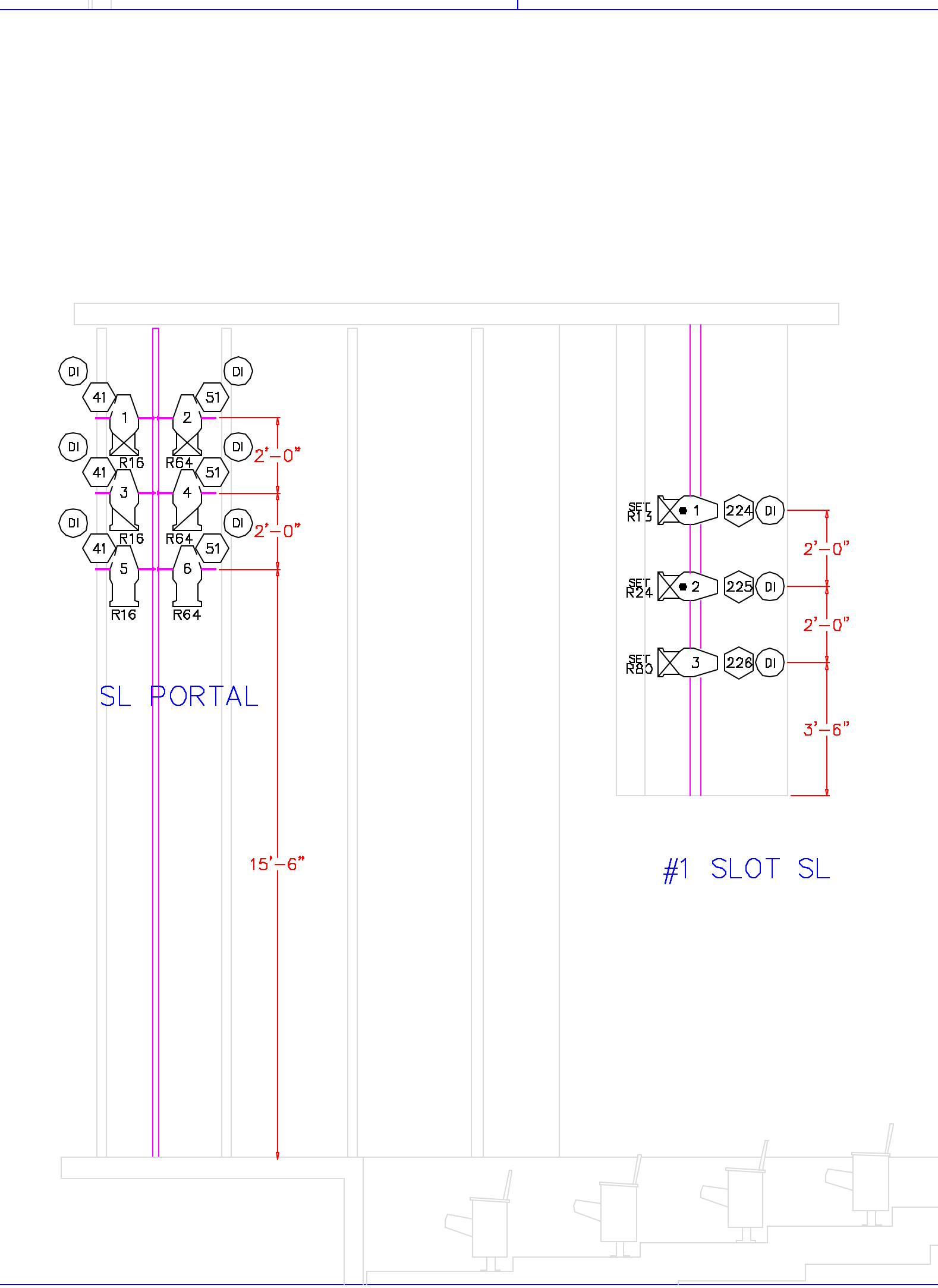
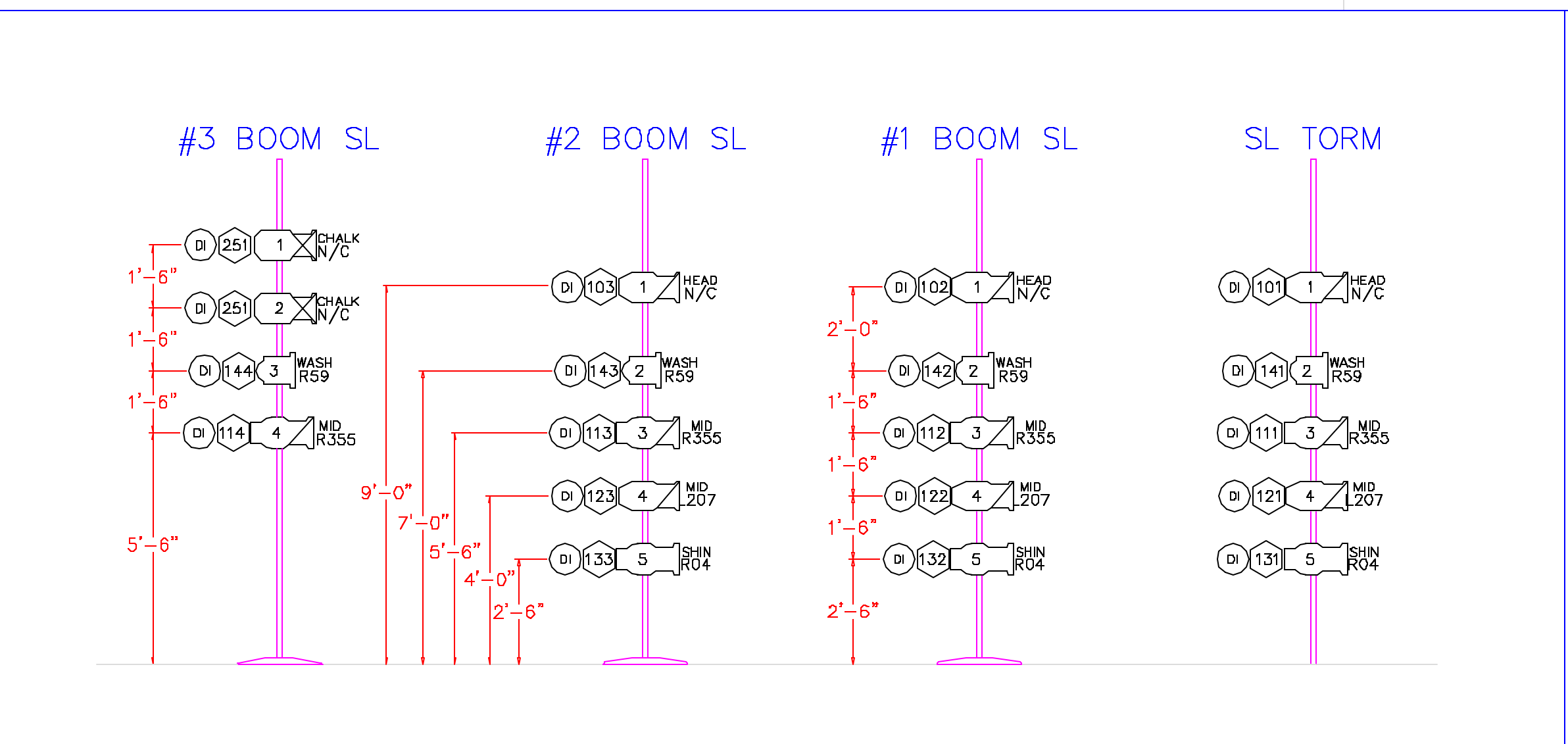


**LEGEND**

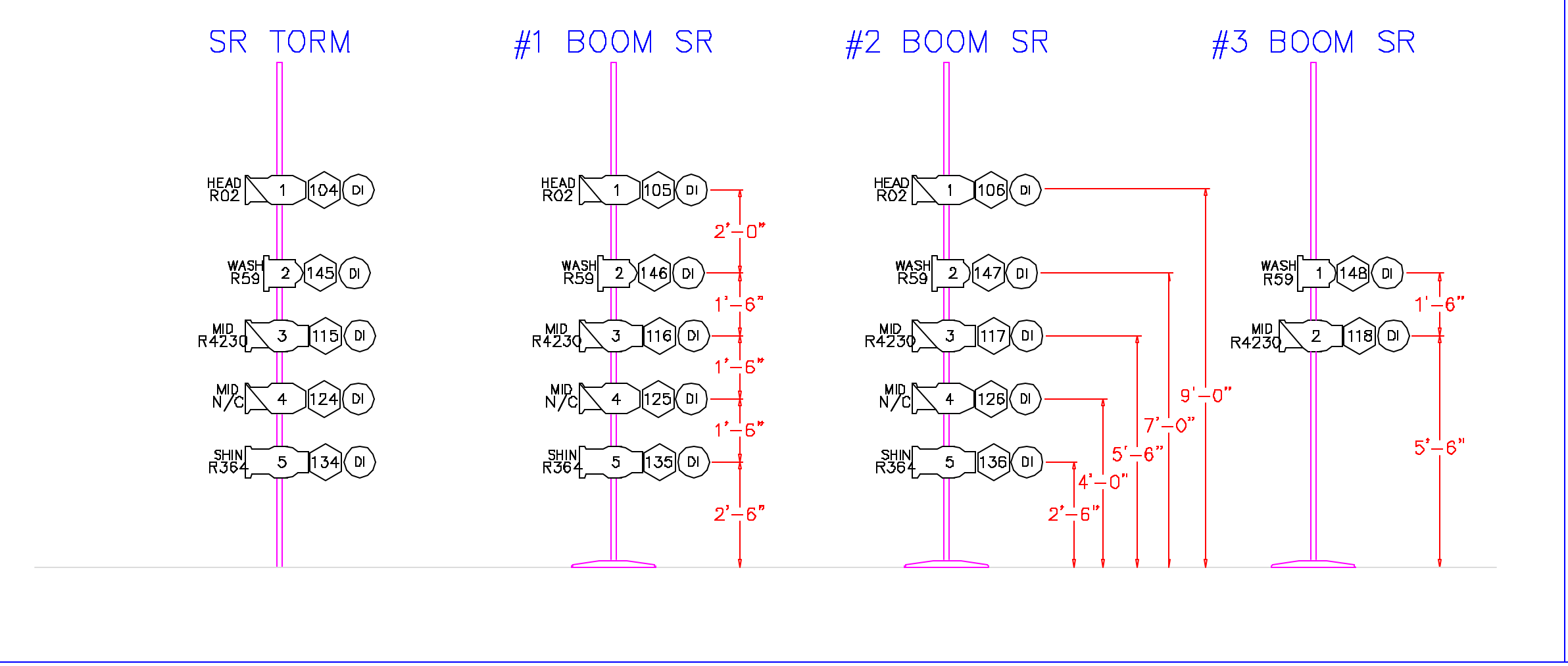
- COLORTRAN 20° - 1kw
- COLORTRAN 30° - 750w
- COLORTRAN 40° - 750w
- ETC SOURCE 4 19° - 575w
- ETC SOURCE 4 26° - 575w
- ETC SOURCE 4 36° - 575w
- 6x16 CENTURY - 1kw
- 6x12 CENTURY - 750w
- 6x9 CENTURY - 750w
- 6x12 ALTMAN - 750w
- 6x16 ALTMAN - 750w
- 6x9 ALTMAN - 750w
- 6" FRESNEL - 750w
- 8" FRESNEL - 1KW
- 12" FRESNEL - 2KW
- PAR 64 WFL - 1KW
- CYC LIGHT - 1KW/circuit
- 8'x8" STRIPLIGHT - 1.2kw/cir
- WYBRON FORERUNNER COLOR SCROLLER
- GAM SCENE MACHINE

**KEY**

- FOCUS COLOR LAMP TYPE
- FIXTURE # CHANNEL



- NOTES**
1. PLEASE SAFETY CABLE, AND OPEN ALL SHUTTERS WHILE HANGING
  2. STANDARD SPACING IS 1'-6", TICK MARKS INDICATE STANDARD SPACING. OTHER SPACING IS NOTED
  3. R=ROSCO COLOR MEDIA, L=LEE COLOR MEDIA, G=GREAT AMERICAN MARKET COLOR MEDIA
  4. ALL MATERIALS AND CONSTRUCTION MUST COMPLY WITH THE MOST STRINGENT APPLICABLE NATIONAL AND LOCAL FIRE AND SAFETY CODES. ALL DRAWINGS AND PAPERWORK REPRESENT VISUAL CONCEPTS AND CONSTRUCTION SUGGESTIONS ONLY. THE DESIGNER IS UNQUALIFIED TO DETERMINE THE STRUCTURAL APPROPRIATENESS OF THIS DESIGN AND WILL NOT BE RESPONSIBLE FOR IMPROPER ENGINEERING, CONSTRUCTION, HANDLING OR USE OF THE LIGHTING AND/OR RIGGING EQUIPMENT.



THE OHIO STATE UNIVERSITY  
THURBER THEATRE  
**THE FIRE STILL BURNS**  
BOOMS AND OTHER ITEMS

DIRECTED BY: JOHN GIFFIN  
LIGHTING DESIGN BY: KRISTOPHER JONES  
ASST. LIGHTING DESIGNER: JOE NEIKIRK  
SCENIC DESIGN BY: CARLA CHAFFIN  
SOUND DESIGN BY: DAVE ATKINSON  
COSTUME DESIGN BY: JOCELYN JURLINA  
PRODUCTION ELECTRICIAN: JOHN KIRKMAN

SCALE: 3/8"=1'-0"  
DATE: APRIL 26, 2003  
DRAWN BY: KDJ

**kdj designs**  
Lighting Designs by Kristopher D. Jones  
www.kristopherdjones.com  
847-245-4599

DRAWING  
3  
OF 3